

MKPA-MT

交流滤波电容



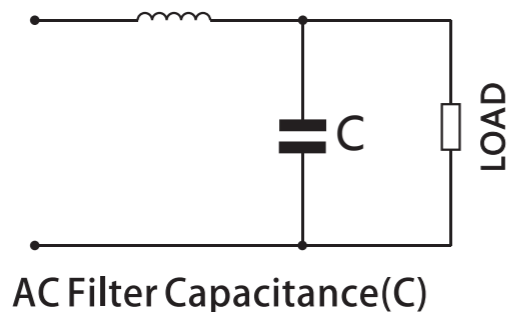
应用 / Application

- 广泛应用于电力电子设备中作交流滤波用;
- 在大功率UPS, 开关电源, 变频器等设备中作交流滤波, 治理谐波及提高功率因数。
- Widely used in power electronic equipment used for the AC filler;
- In the high-power UPS, switching power supply, inverter and other equipment for the AC filler, harmonics and improve power factor control.

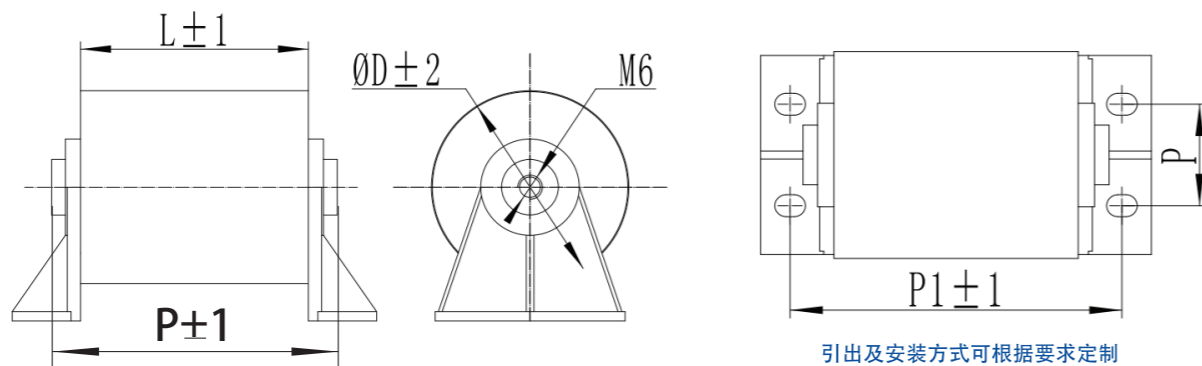
产品特点 / Introduction

- 迈拉胶带封装, 阻燃环氧树脂注塑;
- 安装灵活方便, 引出方式可多样化选择;
- 无感式结构, ESL低、ESR小, 高频大电流承受能力, 温升高, 寿命长等特点。
- Mylar tape, Sealed with epoxy resin;
- The installation is flexible and convenient, and the way of extraction can be varied;
- Non inductive structure, ESL low, ESR small, high frequency and high current capacity, low temperature rise, long life and other characteristics.

典型应用电路 / Typical Circuit



外形图 / Outline Drawing



MKPA-MT

交流滤波电容

技术参数 / Technical Data

执行标准 Implemented standard	GB/T 17702、IEC61071
工作温度范围 Operating temperature range	-40°C~85°C
额定电压 (Un) Rated Voltage	330V.AC~690V.AC
容量范围 (Cn) Capacitance range	5 μF~50 μF
容量偏差 Capacitance tolerance	±5%(J)、±10% (K)
耐电压 Withstand voltage	
极间 between terminals	2.15Un(VAC)/10S
极壳 between terminals and case	3000V.AC/10S (50Hz)
绝缘电阻 Insulation resistance	RixCn ≥ 5000S (100VDC, 60S@20°C)

常用规格 / Dimension

Un=330V.AC								
Cn (μF)	φD (mm)	L (mm)	ESR @10KHz (mΩ)	ESL (nH)	dv/dt (V/μS)	Ipk (A)	Irms(A)	Part number
6.8	35	40	9.4	27	100	680	30	AMT0685J00330*****
8	38	40	8.0	25	80	640	35	AMT0805J00330*****
10	42	40	6.4	25	75	750	40	AMT0106J00330*****
15	51	40	5.3	28	70	1050	48	AMT0156J00330*****
20	59	40	4.0	23	65	1300	55	AMT0206J00330*****
30	71	40	2.7	27	60	1800	68	AMT0306J00330*****
40	74	50	2.0	26	55	2200	70	AMT0406J00330*****
50	82	50	1.6	25	50	2500	75	AMT0506J00330*****
Un=450V.AC								
Cn (μF)	φD (mm)	L (mm)	ESR @10KHz (mΩ)	ESL (nH)	dv/dt (V/μS)	Ipk (A)	Irms(A)	Part number
6.8	35	40	9.4	27	100	680	30	AMT0685J00450*****
8	38	40	8.0	25	80	640	35	AMT0805J00450*****
10	42	40	6.4	25	75	750	40	AMT0106J00450*****
15	51	40	5.3	28	70	1050	48	AMT0156J00450*****
20	59	40	4.0	23	65	1300	55	AMT0206J00450*****
30	71	40	2.7	27	60	1800	68	AMT0306J00450*****
40	74	50	2.0	26	55	2200	70	AMT0406J00450*****
50	82	50	1.6	25	50	2500	75	AMT0506J00450*****
Un=690V.AC								
Cn (μF)	φD (mm)	L (mm)	ESR @10KHz (mΩ)	ESL (nH)	dv/dt (V/μS)	Ipk (A)	Irms(A)	Part number
5	35	60	9.6	27	180	900	30	AMT0505J00690*****
6.8	40	60	7.0	26	150	1020	35	AMT0685J00690*****
8	44	60	7.0	25	120	960	38	AMT0805J00690*****
10	49	60	6.4	26	110	1100	45	AMT0106J00690*****
15	59	60	4.2	23	100	1500	55	AMT0156J00690*****
20	68	60	3.2	25	90	1800	62	AMT0206J00690*****
25	76	60	2.5	22	80	2000	70	AMT0256J00690*****
30	83	60	2.1	23	80	2400	75	AMT0306J00690*****