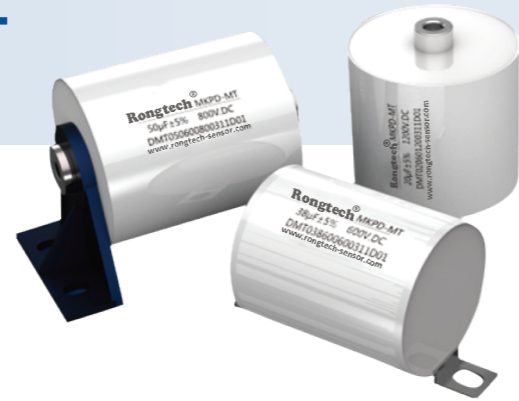


MKPD-MT

直流母线电容



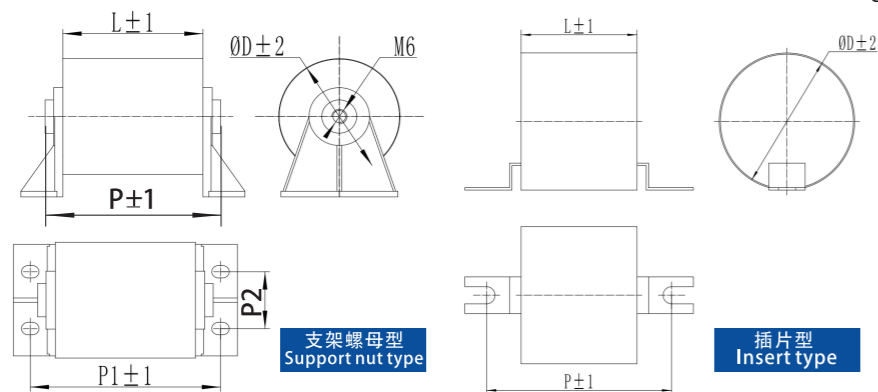
应用 / Application

- 广泛应用于DC-LICK电路中，作高频滤波和退耦用途；
- 广泛应用于电力电子电路中，作隔离耦合用途。
- Widely used in DC-LICK circuit for High-frequency and decoupling;
- Widely used in power electronic circuits,for coupling purposes.

产品特点 / Introduction

- 迈拉胶带封装，阻燃环氧树脂注塑；
- 安装灵活方便，引出方式可多样化选择；
- 无感式结构，ESL低、ESR小，高频大电流承受能力，温升低，寿命长等特点。
- Mylar tape package, flame retardant epoxy resin injection molding;
- The installation is flexible and convenient, and the way of ext raction canbe varied;
- Non inductive structure, ESL low, ESR small, high frequency and high current capacity, temperature low, long life and other characteristics.

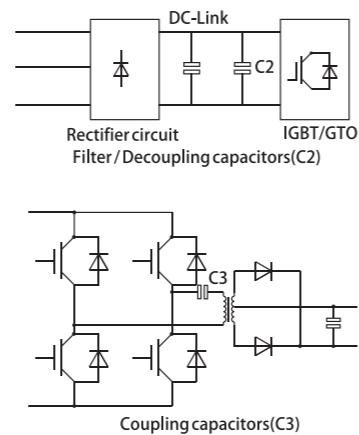
外形图 / Outline Drawing



技术参数 / Technical Data

执行标准 Implemented standard	GB/T 17702、IEC61071
气候等级 Climatic category	40/85/21
额定电压 (Un) Rated Voltage	350V.DC~2000V.DC
容量范围 (Cn) Capacitance range	10 μ F~200 μ F
容量偏差 Capacitance tolerance	$\pm 5\%$ (J)、 $\pm 10\%$ (K)
耐电压 Withstand voltage	
极间 between terminals	1.5Un(VDC)/10S
绝缘电阻 Insulation resitance	RixCn $\geq 10000S$ (100VDC, 60S@20°C)

典型应用电路 / Typical Circuit



MKPD-MT

直流母线电容

常用规格 / Dimension

Un 350V.DC; Us 525V;Ur 100V								
Cn (μ F)	φ D (mm)	L (mm)	ESR (m Ω) @10KHz	ESL (nH)	dv/dt (V/ μ S)	Ipk (A)	Irms(A)	Part number
20	38	40	3.3	25	60	1200	30	DMT0206J00350*****
30	38	50	3.2	25	50	1500	30	DMT0306J00350*****
40	45	50	3	25	50	2000	35	DMT0406J00350*****
50	49	50	3	25	50	2500	40	DMT0506J00350*****
60	54	50	3	25	50	3000	45	DMT0606J00350*****
70	58	50	3	25	50	3500	50	DMT0706J00350*****
80	55	60	3	25	40	3200	50	DMT0806J00350*****
100	61	60	2.9	25	40	4000	55	DMT0107J00350*****
Un 700V.DC; Us 1050V;Ur 200V								
Cn (μ F)	φ D (mm)	L (mm)	ESR (m Ω) @10KHz	ESL (nH)	dv/dt (V/ μ S)	Ipk (A)	Irms(A)	Part number
20	38	40	3.3	25	60	1200	30	DMT0206J00700*****
30	45	40	3.2	25	60	1800	40	DMT0306J00700*****
40	45	50	3	25	50	2000	35	DMT0406J00700*****
50	49	50	3	25	50	2500	40	DMT0506J00700*****
60	54	50	3	25	50	3000	45	DMT0606J00700*****
70	58	50	3	25	50	3500	50	DMT0706J00700*****
80	55	60	3	25	40	3200	50	DMT0806J00700*****
100	61	60	2.9	25	40	4000	55	DMT0107J00700*****
Un 800V.DC; Us 1200V;Ur 250V								
Cn (μ F)	φ D (mm)	L (mm)	ESR (m Ω) @10KHz	ESL (nH)	dv/dt (V/ μ S)	Ipk (A)	Irms(A)	Part number
20	44	40	2.9	25	60	1200	40	DMT0206J00800*****
30	54	40	2.7	25	80	2400	45	DMT0306J00800*****
30	40	60	2.8	25	50	1500	35	DMT0306J00800*****
40	62	40	2.5	25	80	3200	55	DMT0406J00800*****
40	52	50	2.7	25	60	2400	45	DMT0406J00800*****
40	46	60	3.2	25	60	2400	40	DMT0406J00800*****
50	69	40	2.1	25	80	4000	60	DMT0506J00800*****
50	59	50	2.4	25	60	3000	50	DMT0506J00800*****
50	52	60	2.5	25	60	3000	45	DMT0506J00800*****
60	64	50	2.3	25	60	3600	55	DMT0606J00800*****
60	56	60	2.4	25	60	3600	50	DMT0606J00800*****
70	70	50	2	25	60	4200	60	DMT0706J00800*****
70	62	60	2.2	25	60	4200	55	DMT0706J00800*****
80	73	50	2.1	25	60	4800	60	DMT0806J00800*****
80	65	60	2.5	25	60	4800	60	DMT0806J00800*****
100	82	50	1.8	25	60	6000	75	DMT0107J00800*****
100	72	60	2.2	25	50	5000	65	DMT0107J00800*****
Un 1100V.DC; Us 1650V;Ur 300V								
Cn (μ F)	φ D (mm)	L (mm)	ESR (m Ω) @10KHz	ESL (nH)	dv/dt (V/ μ S)	Ipk (A)	Irms(A)	Part number
10	42	40	3.4	25	60	600	35	DMT0106J1100*****
20	50	50	3.1	25	60	1200	40	DMT0206J1100*****
20	65	40	3	25	60	1200	60	DMT0206J1100*****
30	60	50	3.1	25	60	1800	55	DMT0306J1100*****
40	69	50	2.7	25	60	2400	60	DMT0406J1100*****
50	68	60	2.6	25	50	2500	60	DMT0506J1100*****
60	75	60	2.2	25	50	3000	70	DMT0606J1100*****
70	81	60	1.9	25	50	3500	70	DMT0706J1100*****
80	86	60	1.6	25	50	4000	75	DMT0806J1100*****