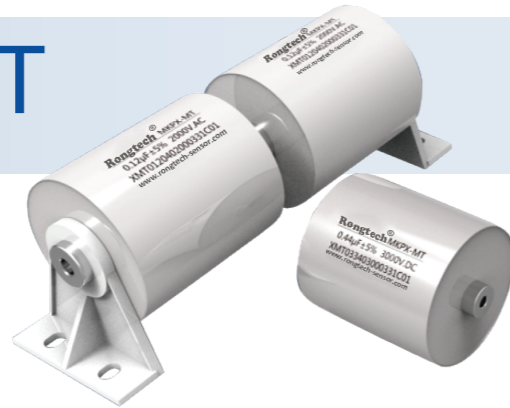


MKPR-MT

谐振电容



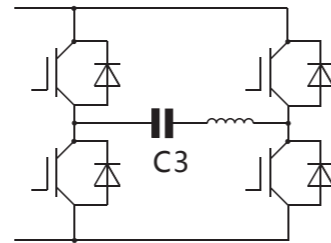
应用 / Application

- 应用于电力电子设备中的串/并联谐振;
- 电焊机, 电源, 感应加热设备等谐振场合。
- Widely used in power electronic, devices in series/parallel resonant circuit;
- Widely used in welding, power supplies, induction heating equipment resonance occasions.

产品特点 / Introduction

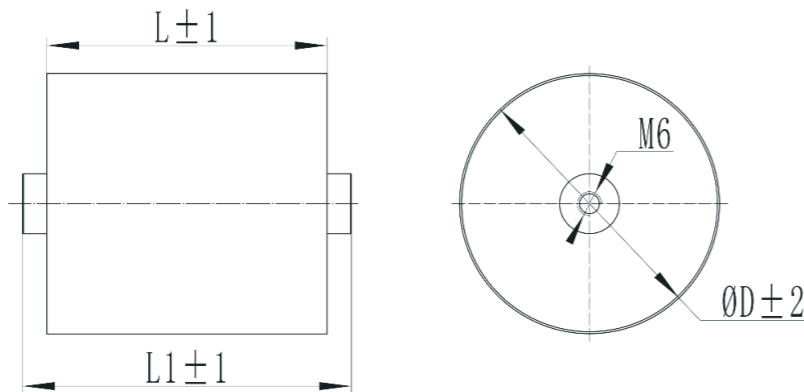
- 迈拉胶带封装, 阻燃环氧树脂注塑;
- 铜螺母引出, 方便安装;
- 无感式结构, ESL低、ESR小, 高脉冲电流, 高DV/DT承受能力; 耐压高, 损耗小, 温升低, 寿命长等特点。
- Mylar tape, Sealed with epoxy resin;
- Copper nut lead, convenient installation;
- Non inductive structure, ESL low, ESR small, high pulse current, high DV/DT bearing capacity, high pressure, low loss, low temperature rise, long life and so on.

典型应用电路 / Typical Circuit



Resonance Capacitors(C3)

外形图 / Outline Drawing



技术参数 / Technical Data

执行标准 Implemented standard	GB/T 3984、IEC60110
气候等级 Climatic category	40/85/21
额定电压 (Un) Rated Voltage	1000V.DC~4000V.DC
容量范围 (Cn) Capacitance range	0.01 μF~10 μF
容量偏差 Capacitance tolerance	±5%(J)、±10% (K)
耐电压 Withstand voltage	
极间 between terminals	1.5Un(VDC)/10S
绝缘电阻 Insulation resistence	RixCn ≥ 5000S (100VDC, 60s@20°C)



MKPR-MT

谐振电容

常用规格 / Dimension

Un 1200V.DC Urms 500V.AC Upeak 710V									
Cn (μF)	φD (mm)	L (mm)	ESR @100KHz (mΩ)	ESL (nH)	dv/dt (V/μS)	Ip(A)	Irms(A)	Qn (kVar)	Part number
1	38	40	4.8	27	900	900	35	15.8	RMT0105J01200****
1.5	46	40	3.2	25	800	1200	45	20.3	RMT0155J01200****
2	53	40	2.4	25	750	1500	50	22.5	RMT0205J01200****
2	38	47	2.4	28	720	1440	33	14.9	RMT0205J01200****
3	64	40	1.6	23	680	2040	60	27.0	RMT0305J01200****
3	45	47	2.1	27	620	1860	40	18.0	RMT0305J01200****
4	52	47	1.6	26	550	2200	45	20.3	RMT0405J01200****
5	58	47	1.3	25	500	2500	53	23.9	RMT0505J01200****
6	63	47	1.1	23	450	2700	58	26.1	RMT0605J01200****
7	68	47	0.9	22	450	3150	60	27.0	RMT0705J01200****
8	73	47	0.8	20	400	3200	65	29.3	RMT0805J01200****
Un 2000V.DC Urms 750V.AC Upeak 1050V									
Cn (μF)	φD (mm)	L (mm)	ESR @100KHz (mΩ)	ESL (nH)	dv/dt (V/μS)	Ip(A)	Irms(A)	Qn (kVar)	Part number
1	41	40	4.0	27	1100	1100	38	25.7	RMT0105J02000****
1.5	50	40	2.7	26	1000	1500	48	32.4	RMT0155J02000****
2	58	40	2.0	25	900	1800	55	37.1	RMT0205J02000****
2	49	60	2.0	26	850	1700	45	30.4	RMT0205J02000****
3	70	40	1.3	23	750	2250	65	43.9	RMT0305J02000****
3	59	60	1.9	25	650	1950	55	37.1	RMT0305J02000****
4	81	40	1.4	22	600	2400	75	50.6	RMT0405J02000****
4	68	60	1.4	23	550	2200	62	41.9	RMT0405J02000****
5	76	60	1.1	22	500	2500	70	47.3	RMT0505J02000****
6	83	60	0.9	21	480	2880	75	50.6	RMT0605J02000****
Un 3000V.DC Urms 1200V.AC Upeak 1700V									
Cn (μF)	φD (mm)	L (mm)	ESR @100KHz (mΩ)	ESL (nH)	dv/dt (V/μS)	Ip(A)	Irms(A)	Qn (kVar)	Part number
0.33	43	44	7.2	26	1800	594	40	43.2	RMT0334J03000****
0.47	51	44	5.5	25	1700	799	48	51.8	RMT0474J03000****
0.5	53	44	4.8	25	1600	800	50	54.0	RMT0504J03000****
0.68	61	44	3.5	24	1500	1020	56	60.5	RMT0684J03000****
0.75	64	44	3.2	24	1400	1050	60	64.8	RMT0754J03000****
0.8	66	44	4.0	23	1350	1080	62	67.0	RMT0804J03000****
1	74	44	3.2	22	1300	1300	70	75.6	RMT0105J03000****
1.2	81	44	2.7	21	1250	1500	75	81.0	RMT0125J03000****
1.5	90	44	2.1	20	1200	1800	80	86.4	RMT0155J03000****
Un 4000V.DC Urms 1500V.AC Upeak 2100V									
Cn (μF)	φD (mm)	L (mm)	ESR @100KHz (mΩ)	ESL (nH)	dv/dt (V/μS)	Ip(A)	Irms(A)	Qn (kVar)	Part number
0.08	46	60	10.0	28	3000	240	40	51.0	RMT0803J4000****
0.1	51	60	8.0	27	2850	285	45	57.4	RMT0104J4000****
0.12	56	60	6.6	26	2750	330	50	63.8	RMT0124J4000****
0.15	63	60	8.5	25	2500	375	58	74.0	RMT0154J4000****
0.18	64	60	7.1	25	2400	432	60	76.5	RMT0184J4000****
0.25	80	60	5.1	23	2200	550	75	95.6	RMT0254J4000****
0.33	52	60	3.9	23	2000	660	48	61.2	RMT0334J4000****
0.47	62	60	5.1	22	1800	846	58	74.0	RMT0474J4000****
0.5	64	60	4.8	22	1700	850	60	76.5	RMT0504J4000****
0.68	75	60	3.5	20	1600	1088	70	89.3	RMT0684J4000****
0.75	78	60	3.2	20	1500	1125	72	91.8	RMT0754J4000****